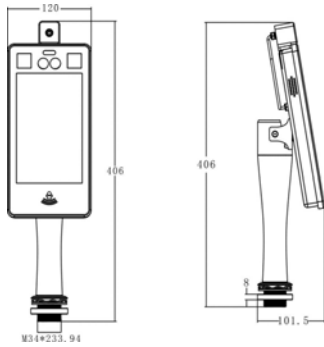




FEATURES

- ◆ Integration of face capture, comparison function, infrared temperature measurement function
- ◆ Temperature anomaly alarm: non-contact body surface temperature detection within one second, detection distance 30-45cm, temperature error range $\pm 0.3^{\circ}C$, abnormal temperature linkage acousto-optic alarm and access control equipment
- ◆ Support living face detection, effective prevention of photos and video spoofing
- ◆ Face database can reach 10,000pcs, flexible face template import, support single, batch image file import and real-time capture import
- ◆ Provide query after login, set integrated parameters, view real-time monitoring and face comparison image
- ◆ Support face types of ordinary people, whitelist people, blacklist people, etc.
- ◆ Support recognize result linkage I/O, wigan port output, voice broadcast
- ◆ Can be widely used in access control channels, wall-mounting attendance and other scenarios.

DIMENSION



INTERFACE



- 1-Wiegand
- 2-Alarm out 2
- 3-RJ45
- 4-DC12V
- 5-Alarm out 1+RS485
- 6-DC12V
- 7-DC12V

SPECIFICATION

Param	Model	HDV-7FTR
Screen		
Size		7 inch, full-angle IPS LCD screen
Resolution		1280x720
CAMERA		
Type		Design of double camera
Sensor		1/2.8" SONY starlight CMOS
Resolution		1080P@30fps
Lens		6mm*2
TEMPERATURE DETECTION		
Detect area		Forehead
Scope of detection		34°C~42°C
Error range		$\pm 0.3^{\circ}C$
Voice broadcast		Support face recognition broadcast and temperature detection alarm
Detection distance		30-45cm
FACE RECOGNITION		
Detection type		Support living face detection, effective prevention of print photos, phone photos and video spoofing
Face detection number		0.5-2m, support detection target size filter adjustment
Recognition face size		Pupils distance ≥ 60 pixels; Face pixel ≥ 150 pixels
Face database capacity		Support built-in ≤ 10000 faces; support black/white list
Posture		Support side face filter, comparable within 20 degrees in vertical and 30 degrees in horizontal
Shelter		Recognizable with ordinary glasses and short bangs hair
Expression		Recognizable with slight expression
Response speed		$\leq 1s$
Face exposure		Support
Local storage		Support storage of more than 100,000 capture and recognition records
Recognition area		Full image recognition, support zone optional setting
Upload mode		FTP, HTTP upload, SDK function calling upload
FUNCTION		
Network protocol		IPv4, TCP/IP, NTP, FTP, HTTP
Access protocol		ONVIF, RTSP
Safe mode		Authorized user name and password
Face recognition		Support
Event linkage		Capture ID card storage, HTTP upload, alarm output linkage, wiegand output linkage, voice broadcast
Remote upgrade		Support
Others		/
ACCESSORIES		
Complementary light		IR light, LED white light
Recognition module		Support ID card recognize module optional Support IC card recognize module optional
Loudspeaker		Support voice broadcast after successful recognition
Network module		Built-in 4G Module Built-in wifi Module
INTERFACE		
Network interface		RJ45 10M/100M network adaptative
Alarm input		2CH
Alarm output		2CH
RS485		Support
TF card		Max.support 128G local-storage
USB		1CH
Wiegand interface		Support wiegand 26,34,66 protocol
Reset		Support
Tamper switch		Support
GENERAL		
Operating temperature		$-20^{\circ}C \sim 60^{\circ}C$
Operating humidity		0% -90%
Power supply		DC12V
Power consumption (max)		$\leq 12W$
Dimensions(mm)		406mm(H)*120mm(W)
Weight		TBD
Install type		Wall mounting/gate mounting/floor bracket mounting